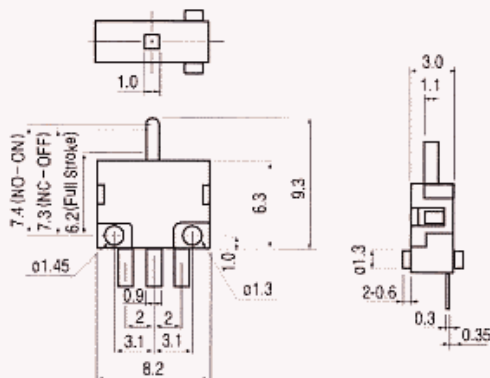
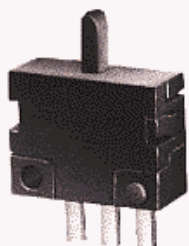


DETECTIVE MICRO SWITCHES

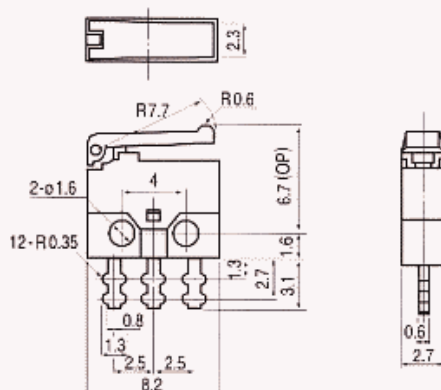
PD121



Specification

Rating	3V DC, 100mA
Poles - Throws	1C - 2P
Stroke	3.1 mm
Operating Force	60 gf Max.
Timing	Shorting, non shorting
Contact Resistance	2 Ω Max.
Life	10,000 Cycles

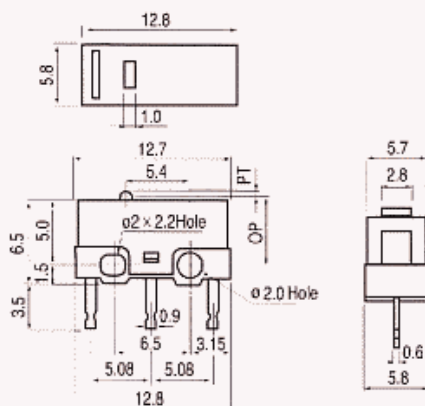
MS122



Specification

Rating	6V DC, 0.3A
Operating Force (OF)	60 gf Max.
Release Force (RF)	8 gf Min.
Over Travel (OT)	0.3 mm Min.
Movement Differential (MD)	0.7 mm Min.
Free Position (FP)	9.6 mm Max.
Operating Position (OP)	6.7 ± 0.5 mm

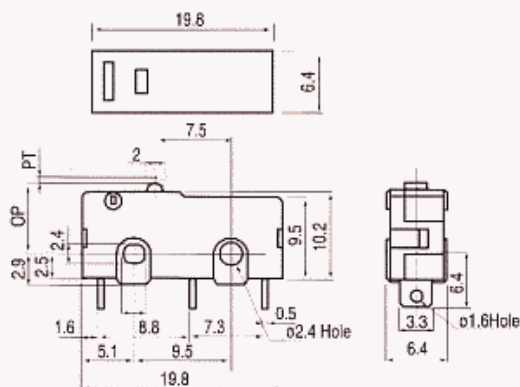
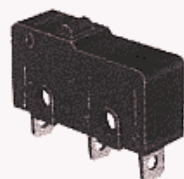
MS123



Specification

Rating	125V AC, 3A
Operating Force (OF)	70 gf Max.
Release Force (RF)	5 gf Min.
Over Travel (OT)	0.25 mm Min.
Movement Differential (MD)	0.12 mm Min.
Pretravel (PT)	0.5 mm Max.
Operating Position (OP)	5.5 ± 0.3 mm

MS124



Specification

Rating	250V AC, 1A
Operating Force (OF)	150 gf Max.
Release Force (RF)	25 gf Min.
Over Travel (OT)	0.3 mm Min.
Movement Differential (MD)	0.1 mm Min.
Pretravel (PT)	0.5 mm Max.
Operating Position (OP)	8.4 ± 0.5 mm