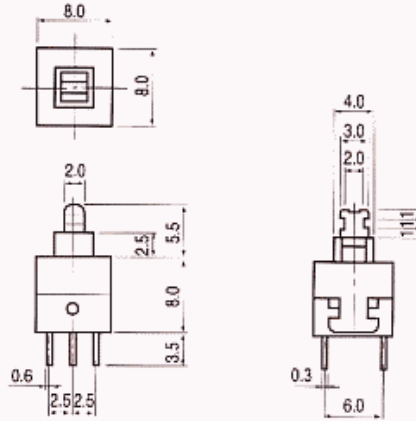


# PUSH SWITCHES

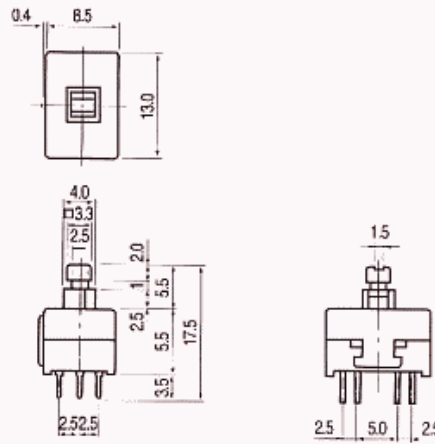
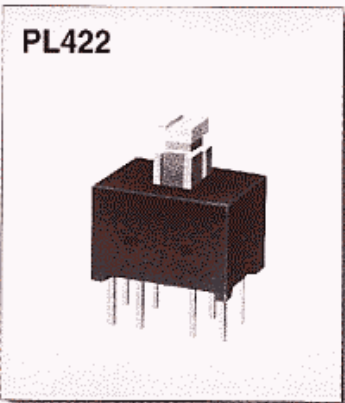
PL226



## Specification

Rating	30V DC, 0.2A
Poles - Throws	2C - 2P
Stroke	Full : 2.5 mm Lock : 1.5 mm
Operating Force	200 ± 80 gf
Timing	Non Shorting
Operating Mode	PL Self Lock
	PM Momentary with Click
	PN Non Lock

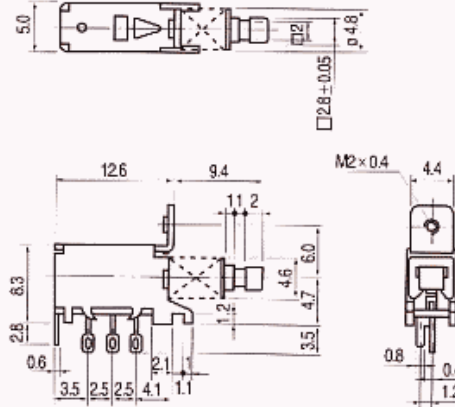
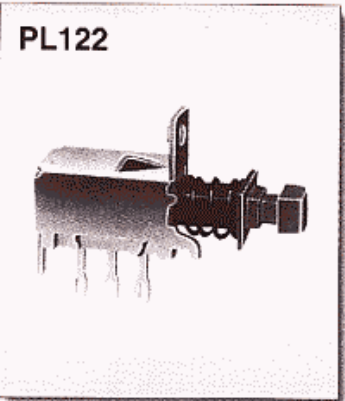
PL422



## Specification

Rating	30V DC, 0.2A
Poles - Throws	4C - 2P
Stroke	Full : 2.5 mm Lock : 1.5 mm
Operating Force	200 ± 80 gf
Timing	Non Shorting
Operating Mode	PL Self Lock
	PN Non Lock

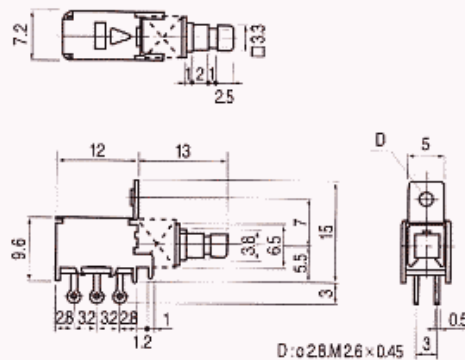
PL122



## Specification

Rating	30V DC, 0.2A
Poles - Throws	1C - 2P
Stroke	Full : 3.5 mm Lock : 2.5 mm
Operating Force	250 ± 80 gf
Timing	Non Shorting
Operating Mode	PL Self Lock
	PN Non Lock

PL222



## Specification

Rating	30V DC, 0.2A
Poles - Throws	2C - 2P
Stroke	Full : 3.5 mm Lock : 2.5 mm
Operating Force	300 ± 100 gf
Timing	Shorting, Non Shorting
Operating Mode	PL Self Lock
	PN Non Lock