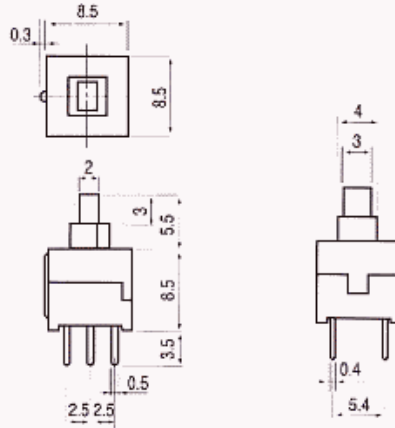


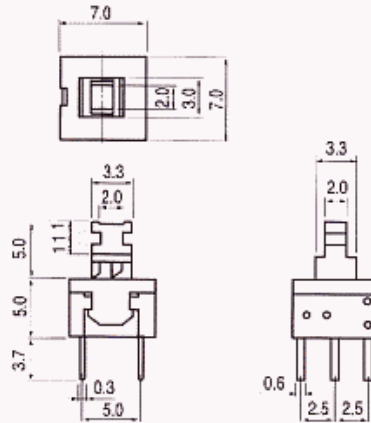
PL221



## Specification

<b>Rating</b>	3V DC, 0.2A
<b>Poles - Throws</b>	2C - 2P
<b>Stroke</b>	Full : 2.5 mm Lock : 1.5 mm
<b>Operating Force</b>	200 ± 80 gf
<b>Timing</b>	Non Shorting
<b>Operating Mode</b>	PL Self Lock
	PM Momentary with Click
	PN Non Lock

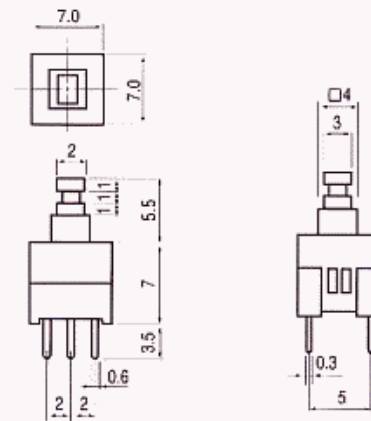
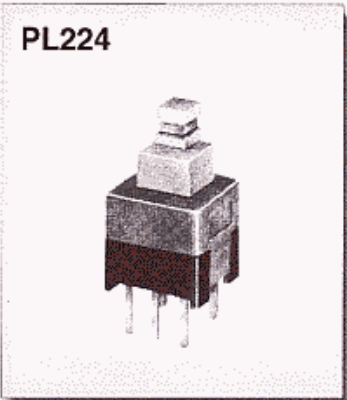
PL220



## Specification

<b>Rating</b>	12V DC, 0.1A
<b>Poles - Throws</b>	2C - 2P
<b>Stroke</b>	Full : 2.0 mm Lock : 1.0 mm
<b>Operating Force</b>	200 ± 80 gf
<b>Timing</b>	Non Shorting
<b>Operating Mode</b>	PL Self Lock
	PN Non Lock

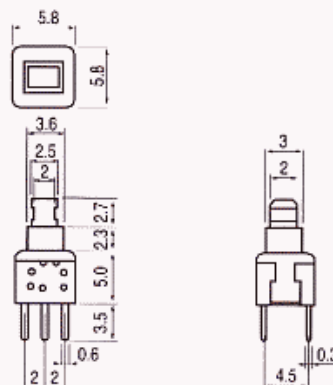
PL224



## Specification

<b>Rating</b>	12V DC, 0.1A
<b>Poles - Throws</b>	2C - 2P
<b>Stroke</b>	Full : 2.0 mm Lock : 1.0 mm
<b>Operating Force</b>	200 ± 70 gf
<b>Timing</b>	Not Specified
<b>Operating Mode</b>	PL Self Lock
	PN Non Lock

PL228



## Specification

<b>Rating</b>	12V DC, 0.1A
<b>Poles - Throws</b>	2C - 2P
<b>Stroke</b>	Full : 1.8 mm Lock : 1.0 mm
<b>Operating Force</b>	150 ± 80 gf
<b>Timing</b>	Shorting, Non Shorting
<b>Operating Mode</b>	PL Self Lock
	PN Non Lock