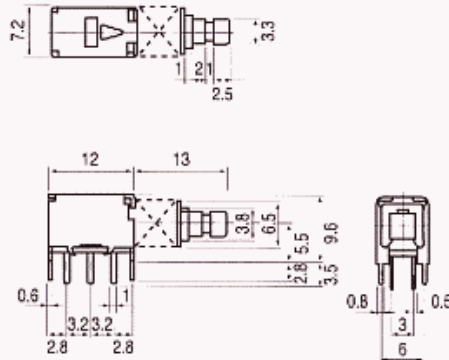
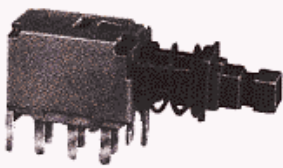


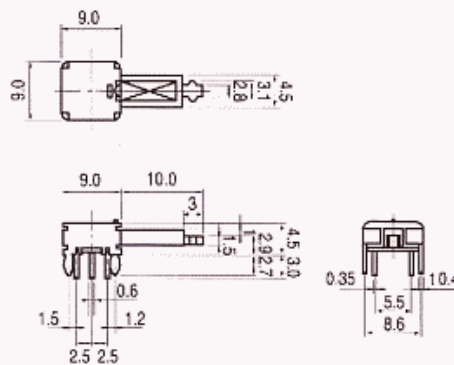
PL223



Specification

Rating	30V DC, 0.2A
Poles - Throws	2C - 2P
Stroke	Full : 3.5 mm Lock : 2.5 mm
Operating Force	300 ± 100 gf
Timing	Shorting, Non Shorting
Operating Mode	PL Self Lock PN Non Lock

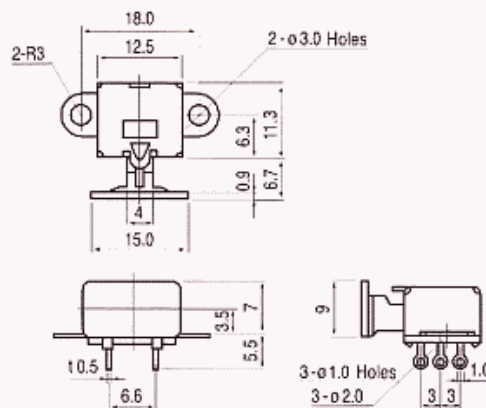
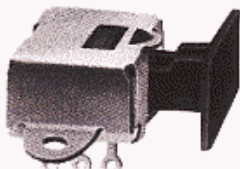
PL225



Specification

Rating	50V DC, 0.3A
Poles - Throws	2C - 2P
Stroke	Full : 3.5 mm Lock : 2.5 mm
Operating Force	200 ± 100 gf
Timing	Shorting, Non Shorting
Operating Mode	PL Self Lock PN Non Lock

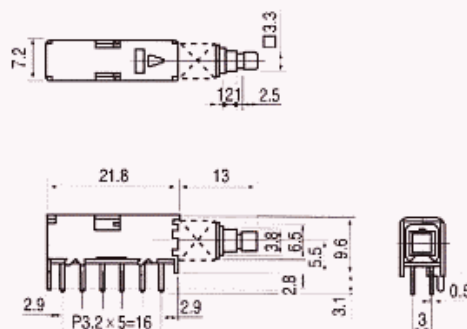
PL227W



Specification

Rating	30V DC, 0.3A
Poles - Throws	2C - 2P
Stroke	Full : 4.0 mm Lock : 2.7 mm
Operating Force	300 ± 150 gf
Timing	Non Shorting
Operating Mode	PL Self Lock PN Non Lock

PL421



Specification

Rating	30V DC, 0.2A
Poles - Throws	4C - 2P
Stroke	Full : 3.5 mm Lock : 2.5 mm
Operating Force	300 ± 100 gf
Timing	Shorting, Non Shorting
Operating Mode	PL Self Lock PN Non Lock