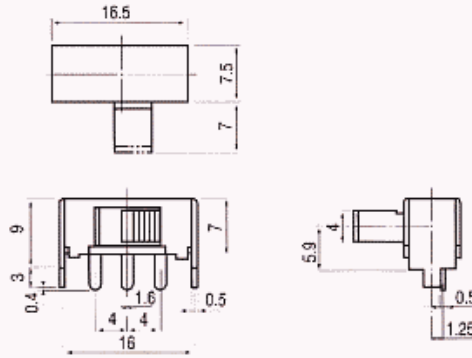


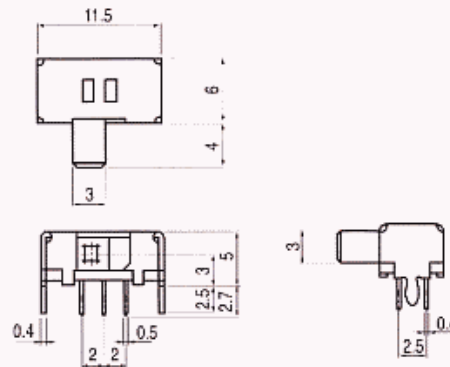
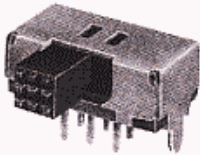
SS1206



Specification

Rating	50V DC, 0.3A
Poles - Throws	1C - 2P
Stroke	3.2 mm
Operating Force	250 ± 100 gf
Timing	Non Shorting
Optional Stems and Size	G : 7

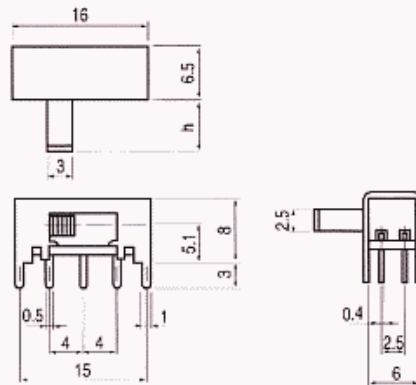
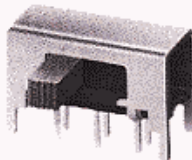
SS221



Specification

Rating	30V DC, 0.2A
Poles - Throws	2C - 2P
Stroke	2.0 mm
Operating Force	250 ± 150 gf
Timing	Shorting, Non Shorting
Optional Stems and Size	S : 4

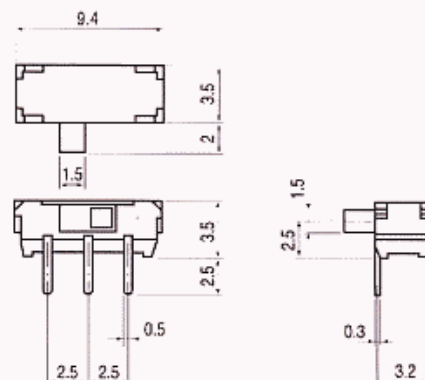
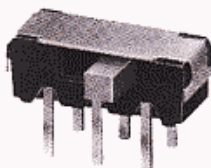
SS224



Specification

Rating	30V DC, 0.2A
Poles - Throws	2C - 2P
Stroke	4.0 mm
Operating Force	250 ± 100 gf
Timing	Non Shorting
Optional Stems and Size	G : 3, 6, 9

SS220F



Specification

Rating	15V DC, 0.1A
Poles - Throws	2C - 2P
Stroke	2.0 mm
Operating Force	250 ± 150 gf
Timing	Non Shorting
Optional Stems and Size	F : 2