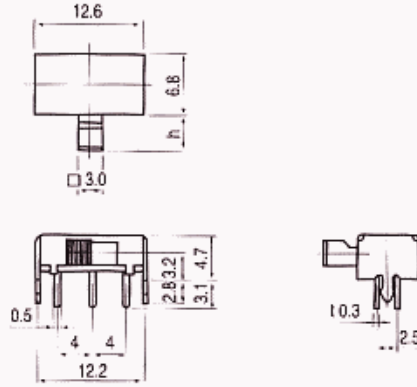


SLIDE SWITCHES

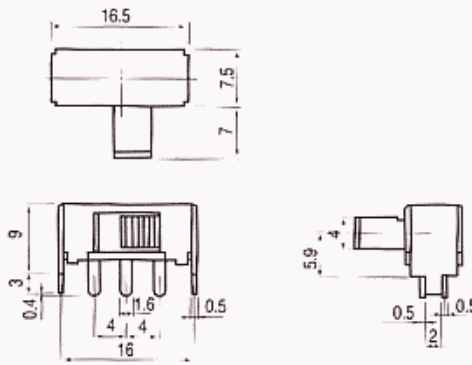
SS229



Specification

Rating	30V DC, 0.2A
Poles - Throws	2C - 2P
Stroke	4.0 mm
Operating Force	200 ± 150 gf
Timing	Non Shorting
Optional Stems and Size	G : 3.5, 6, 9

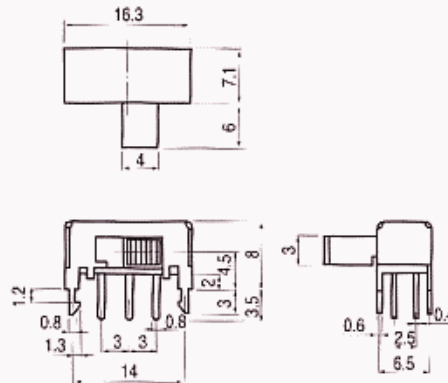
SS2206



Specification

Rating	50V DC, 0.3A
Poles - Throws	2C - 2P
Stroke	3.2 mm
Operating Force	250 ± 100 gf
Timing	Non Shorting
Optional Stems and Size	G : 7

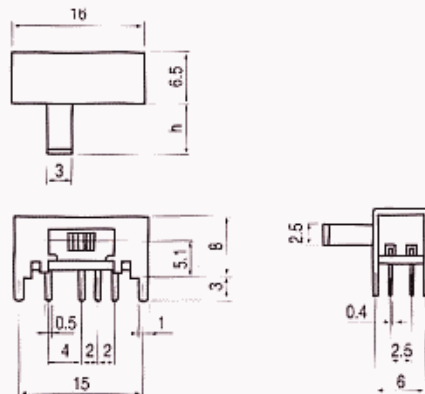
SS2282



Specification

Rating	50V DC, 0.3A
Poles - Throws	2C - 2P
Stroke	3.0 mm
Operating Force	200 ± 100 gf
Timing	Shorting, Non Shorting
Optional Stems and Size	G : 6

SS234



Specification

Rating	30V DC, 0.2A
Poles - Throws	2C - 3P
Stroke	2 + 2 mm
Operating Force	S → C 200 ± 100 gf C → S 350 ± 100 gf
Timing	Not Specified
Optional Stems and Size	G : 3, 6, 9