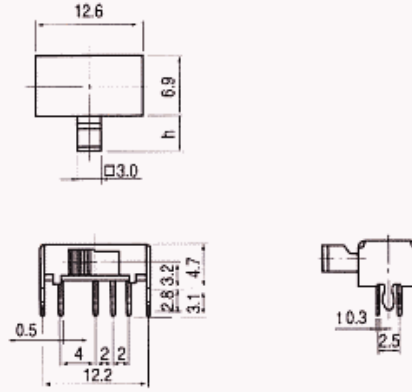
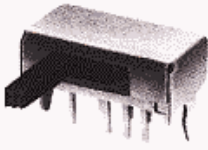


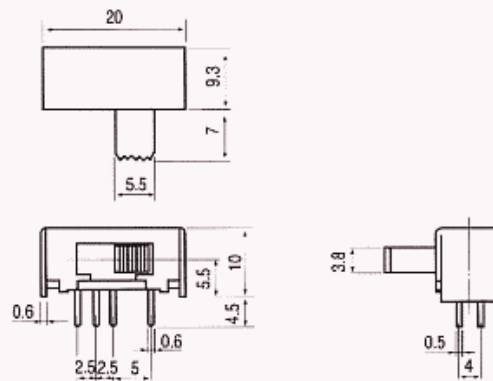
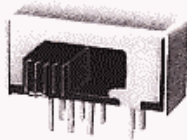
SS239



Specification

Rating	30V DC, 0.2A
Poles - Throws	2C - 3P
Stroke	2 + 2 mm
Operating Force	250 ± 150 gf
Timing	Not Specified
Optional Stems and Size	G : 3.5, 6, 9

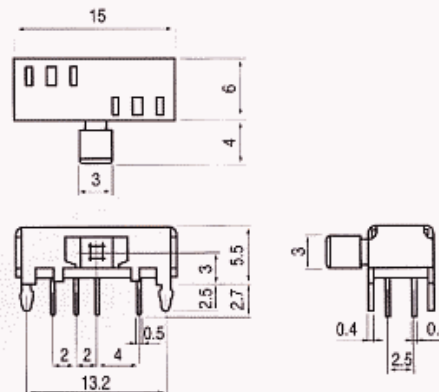
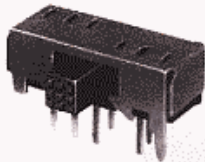
SS2317



Specification

Rating	50V DC, 0.3A
Poles - Throws	2C - 3P
Stroke	2.5 + 2.5 mm
Operating Force	S → C 200 ± 100 gf C → S 300 ± 100 gf
Timing	Not Specified
Optional Stems and Size	G : 5, 7

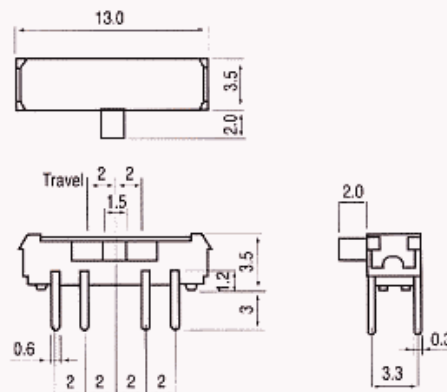
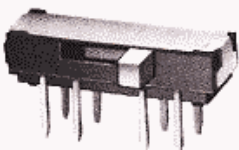
SS231



Specification

Rating	30V DC, 0.2A
Poles - Throws	2C - 3P
Stroke	2 + 2 mm
Operating Force	S → C 250 ± 150 gf C → S 300 ± 150 gf
Timing	Not Specified
Optional Stems and Size	S : 4

SS230



Specification

Rating	6V DC, 0.3A
Poles - Throws	2C - 3P
Stroke	2 + 2 mm
Operating Force	S → C 250 ± 100 gf C → S 300 ± 150 gf
Timing	Not Specified
Optional Stems and Size	F : 2