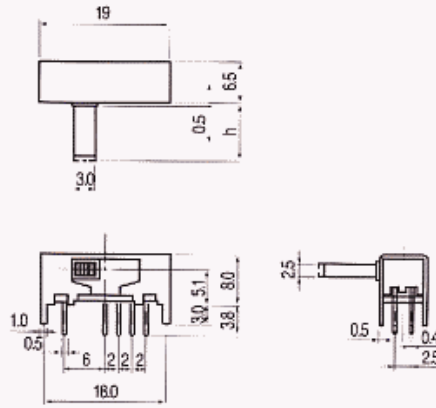
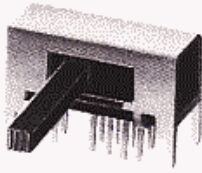


SLIDE SWITCHES

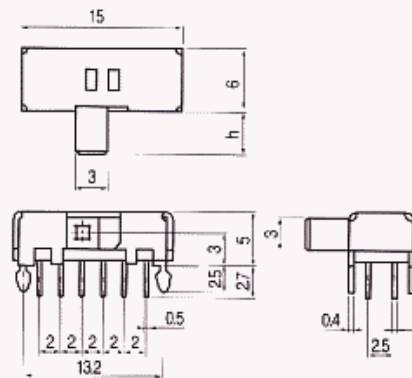
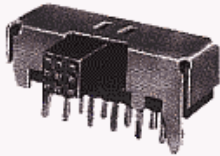
SS241



Specification

Rating	30V DC, 0.2A
Poles - Throws	2C - 4P
Stroke	2 + 2 + 2 mm
Operating Force	S → C 200 ± 100 gf C → S 300 ± 100 gf
Timing	Not Specified
Optional Stems and Size	G : 9, 12

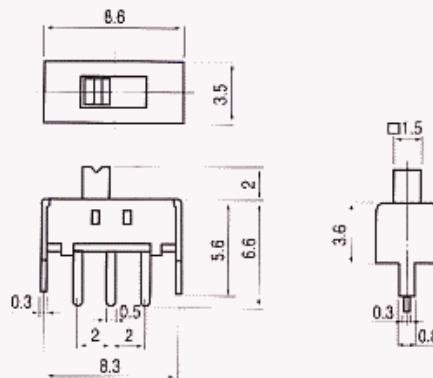
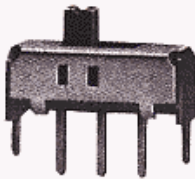
SS421



Specification

Rating	30V DC, 0.2A
Poles - Throws	4C - 2P
Stroke	2.0 mm
Operating Force	250 ± 150 gf
Timing	Non Shorting
Optional Stems and Size	S : 4

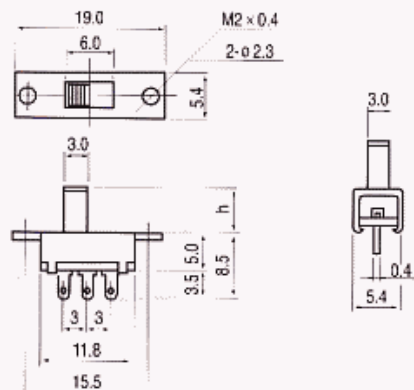
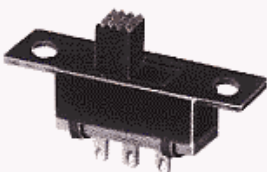
ST1244



Specification

Rating	50V DC, 0.3A
Poles - Throws	1C - 2P
Stroke	2.0 mm
Operating Force	250 ± 100 gf
Timing	Non Shorting
Optional Stems and Size	V : 2

ST128



Specification

Rating	50V DC, 0.3A
Poles - Throws	1C - 2P
Stroke	3.0 mm
Operating Force	250 ± 100 gf
Timing	Non Shorting
Optional Stems and Size	G : 4, 6