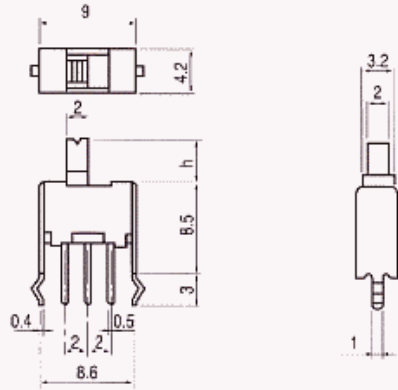
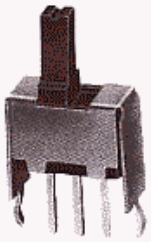


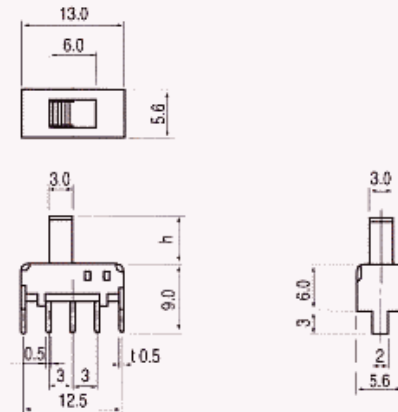
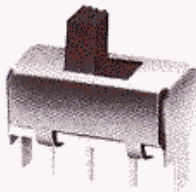
ST124



## Specification

Rating	12V DC, 0.1A
Poles - Throws	1C - 2P
Stroke	2.0 mm
Operating Force	200 ~ 500 gf
Timing	Non Shorting
Optional Stems and Size	V : 4, 6    F : 7.5

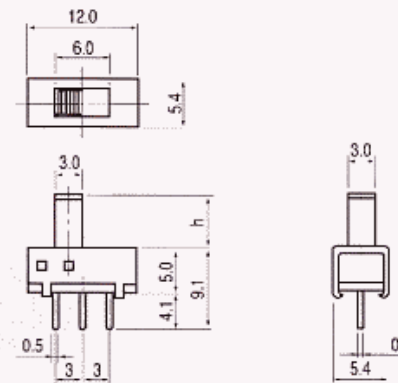
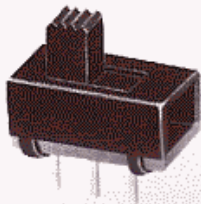
ST126



## Specification

Rating	50V DC, 0.3A
Poles - Throws	1C - 2P
Stroke	3.0 mm
Operating Force	250 ± 100 gf
Timing	Non Shorting
Optional Stems and Size	G : 4, 6

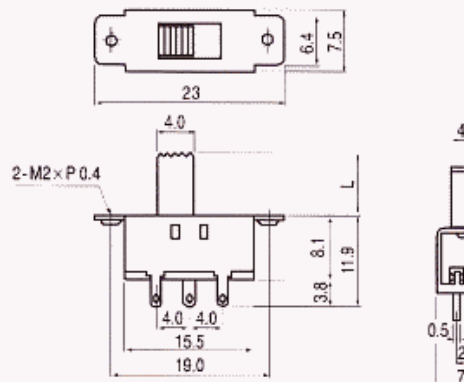
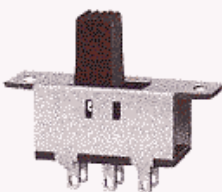
ST127



## Specification

Rating	50V DC, 0.3A
Poles - Throws	1C - 2P
Stroke	3.0 mm
Operating Force	200 ± 100 gf
Timing	Non Shorting
Optional Stems and Size	G : 4, 6

ST2202



## Specification

Rating	50V DC, 0.3A
Poles - Throws	2C - 2P
Stroke	3.0 mm
Operating Force	300 ± 100 gf
Timing	Shorting, Non Shorting
Optional Stems and Size	G : 5, 7.5, 9