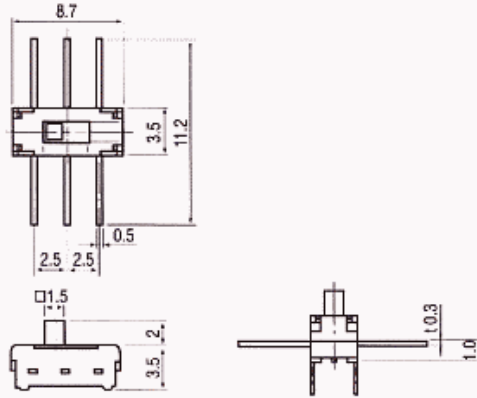
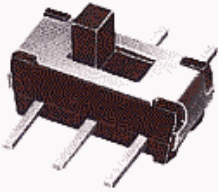


# SLIDE SWITCHES

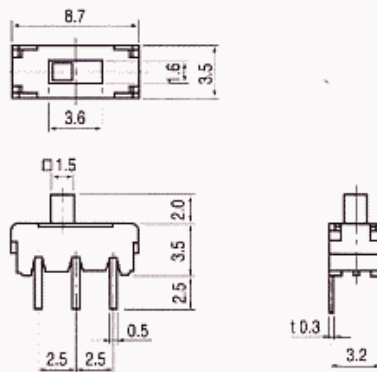
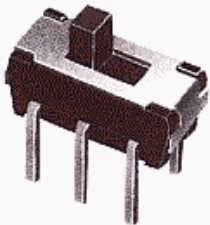
**ST220AF**



## Specification

Rating	15V DC, 0.1A
Poles - Throws	2C - 2P
Stroke	2.0 mm
Operating Force	250 ± 150 gf
Timing	Non Shorting
Optional Stems and Size	F : 2

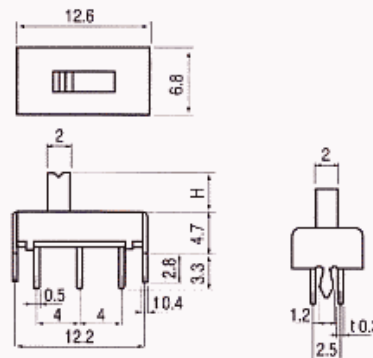
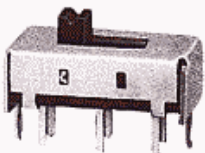
**ST220F**



## Specification

Rating	15V DC, 0.1A
Poles - Throws	2C - 2P
Stroke	2.0 mm
Operating Force	250 ± 150 gf
Timing	Non Shorting
Optional Stems and Size	F : 2

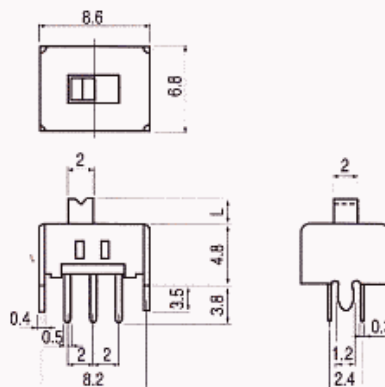
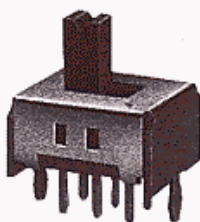
**ST2208**



## Specification

Rating	50V DC, 0.3A
Poles - Throws	2C - 2P
Stroke	4.0 mm
Operating Force	250 ± 100 gf
Timing	Non Shorting
Optional Stems and Size	V : 2, 4, 6

**ST2209**



## Specification

Rating	50V DC, 0.3A
Poles - Throws	2C - 2P
Stroke	2.0 mm
Operating Force	200 ± 100 gf
Timing	Shorting, Non Shorting
Optional Stems and Size	V : 4, 6