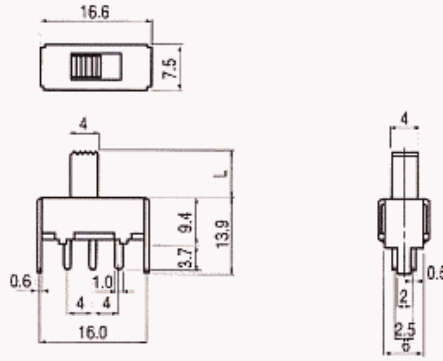
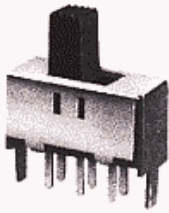


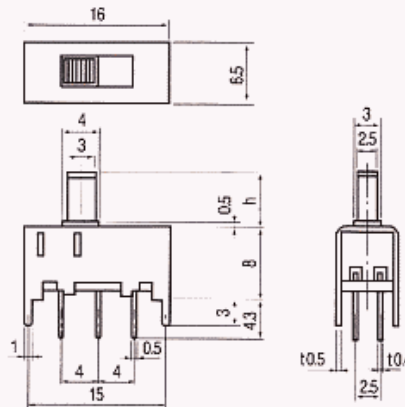
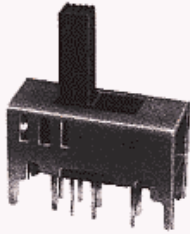
ST2251



Specification

| | |
|-------------------------|------------------------|
| Rating | 50V DC, 0.3A |
| Poles - Throws | 2C - 2P |
| Stroke | 3.0 mm |
| Operating Force | 300 ± 100 gf |
| Timing | Shorting, Non Shorting |
| Optional Stems and Size | G : 3, 5, 7.5, 10 |

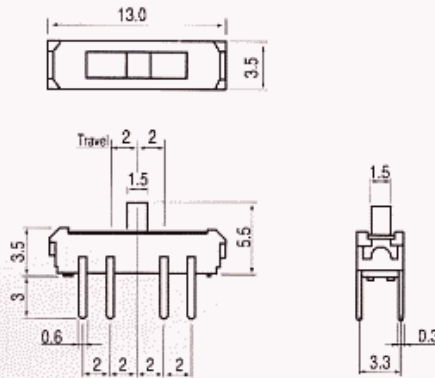
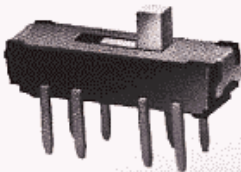
ST224



Specification

| | |
|-------------------------|--------------|
| Rating | 30V DC, 0.2A |
| Poles - Throws | 2C - 2P |
| Stroke | 4.0 mm |
| Operating Force | 200 ± 100 gf |
| Timing | Non Shorting |
| Optional Stems and Size | G : 9 |

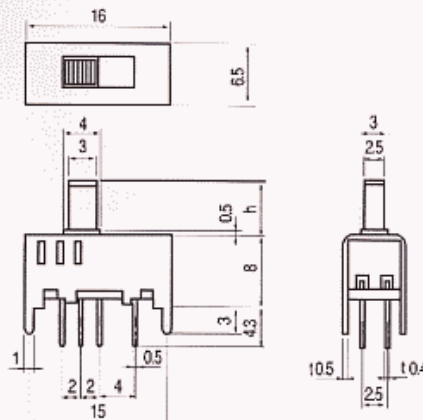
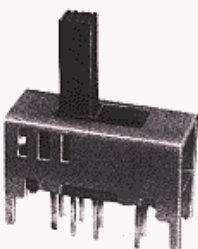
ST230



Specification

| | |
|-------------------------|--|
| Rating | 6V DC, 0.3A |
| Poles - Throws | 2C - 3P |
| Stroke | 2 + 2 mm |
| Operating Force | S → C 250 ± 100 gf C → S 300 ± 100 gf |
| Timing | Not Specified |
| Optional Stems and Size | F : 2 |

ST234



Specification

| | |
|-------------------------|--|
| Rating | 30V DC, 0.2A |
| Poles - Throws | 2C - 3P |
| Stroke | 2 + 2 mm |
| Operating Force | S → C 200 ± 100 gf C → S 350 ± 100 gf |
| Timing | Not Specified |
| Optional Stems and Size | G : 9 |