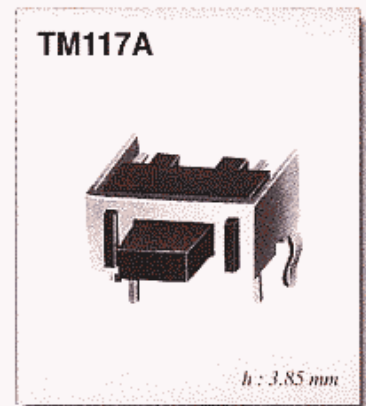
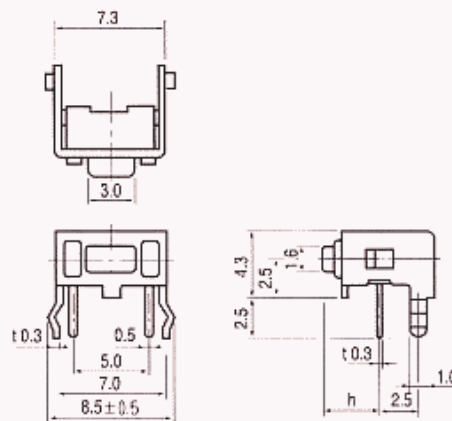
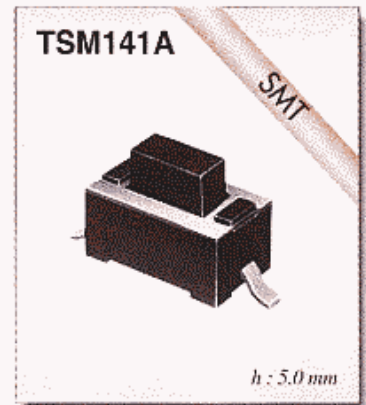
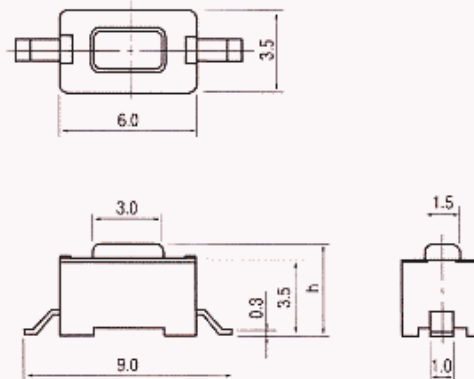
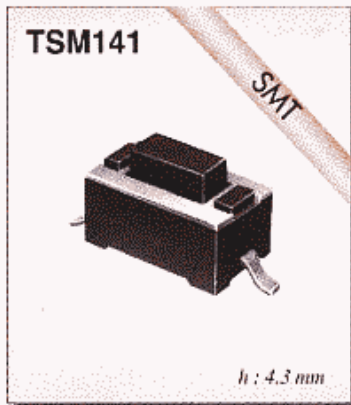
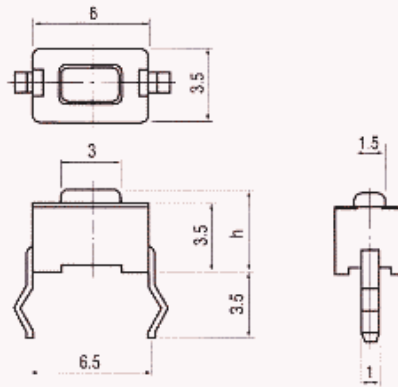


TACT SWITCHES



Operating Force			Life Cycle	Rating (max.)	Stroke (mm)	Contact Resistance	Features
Code	Color	gf					
	Black	130 ± 30	50,000	50mA 12V DC	0.25	500 mΩ max.	6 × 3.5mm Low Profile Economical SMT
S	Gray	200 - 50	30,000				
H	Red	260 - 70	30,000				