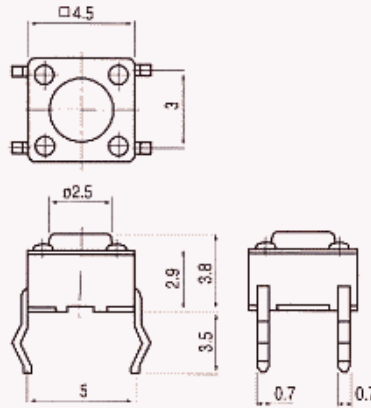


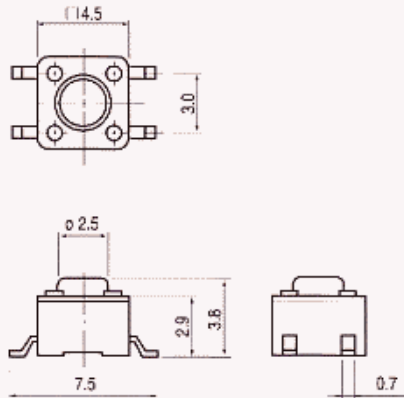
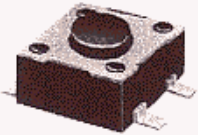
TM112



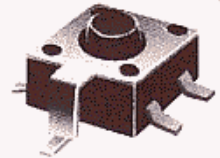
TM113



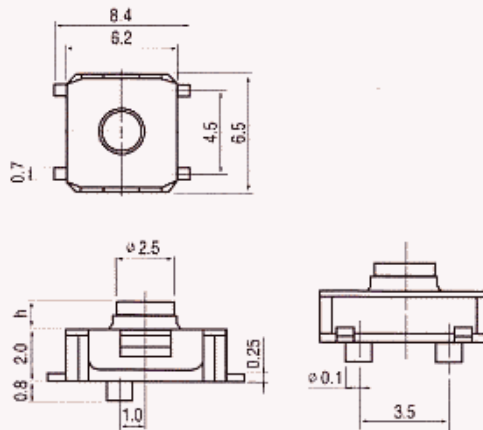
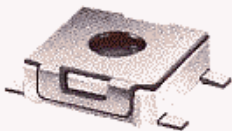
TSM142



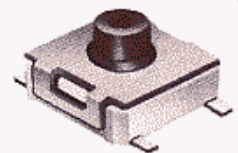
TM143



TSM557



TSM654



h: 1.1 mm / 1.8 mm

Operating Force			Life Cycle	Rating (max.)	Stroke (mm)	Contact Resistance	Features
Model	Color	gf					
TM112 113 TSM142 143	Black	130 ± 30	50,000	50mA 12V DC	0.25	100 mΩ max.	4.5 × 4.5mm Miniature
TSM557 654 668	A Black B Gray	F ₁ : 100 ± 40 F ₂ : 250 ± 80 F ₁ : 60 ± 40 F ₂ : 150 ± 80	10,000	20mA 30V DC	S ₁ : 0.3 S ₂ : 0.55	200 mΩ max.	Double Action