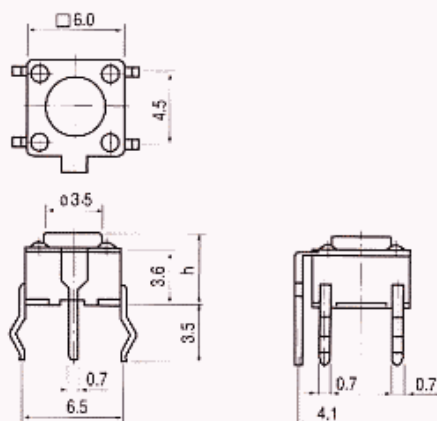


TACT SWITCHES

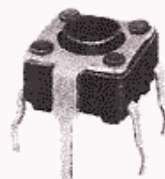
TM115



h : 4.3 mm

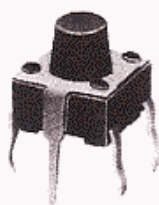


TM115A

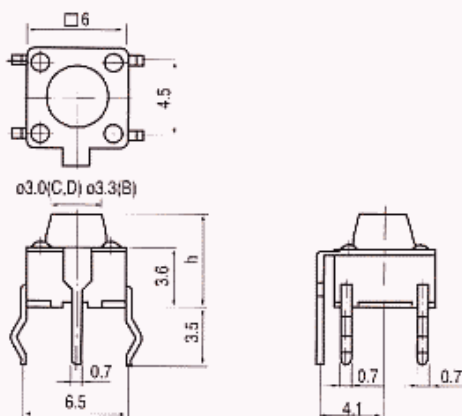


h : 5.0 mm

TM115B



h : 7.0 mm

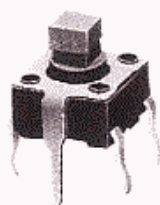


TM115C

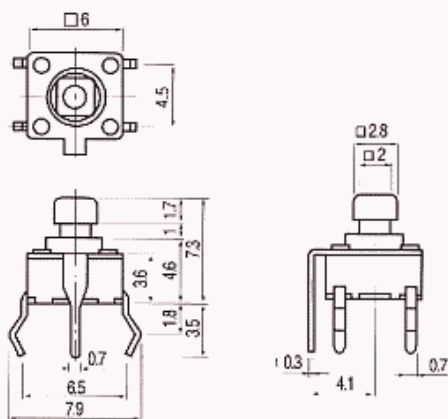


h : 9.5 mm

TM115T



h : 7.3 mm



TM115D



h : 17.0 mm

Operating Force			Life Cycle	Rating (max.)	Stroke (mm)	Contact Resistance	Features
Code	Color	gf					
	Black	130 ± 30	100,000	50mA 12V DC	0.25	100 mΩ max.	6 × 6mm Ground
J	Blue	160 ± 30					
S	Gray	200 ± 50					
H	Red	260 ± 70					