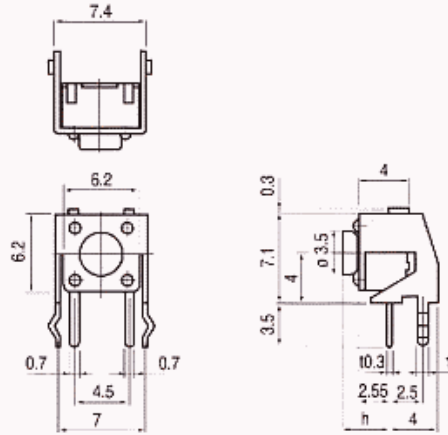


TM116



h : 3.15 mm



TM116A

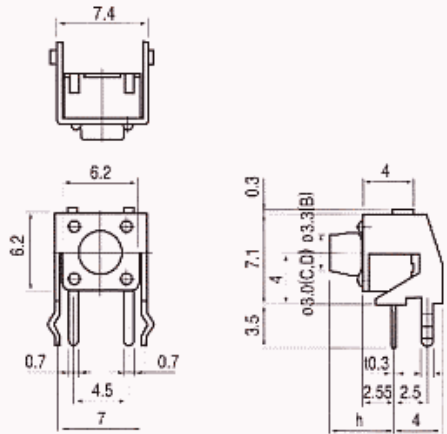


h : 3.85 mm

TM116B



h : 5.85 mm

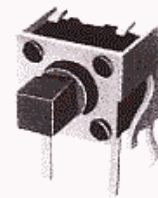


TM116C

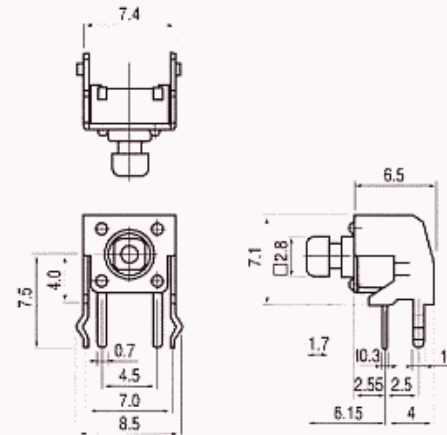


h : 8.35 mm

TM116T



h : 6.15 mm



TM116D



h : 15.85 mm

Operating Force			Life Cycle	Rating (max.)	Stroke (mm)	Contact Resistance	Features
Code	Color	gf					
	Black	130 ± 30	100,000	50mA 12V DC	0.25	100 mΩ max.	6 × 6mm Right Angle
J	Blue	160 ± 30					
S	Gray	200 ± 50					
H	Red	260 ± 70					