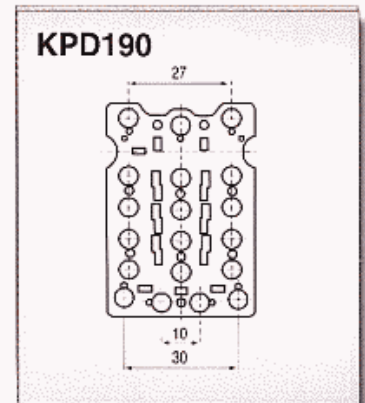
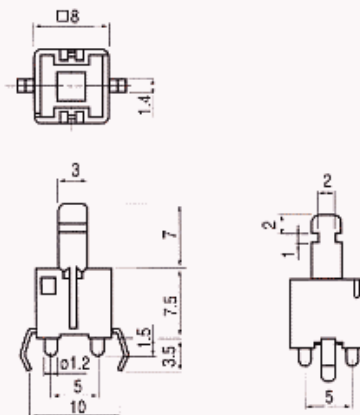
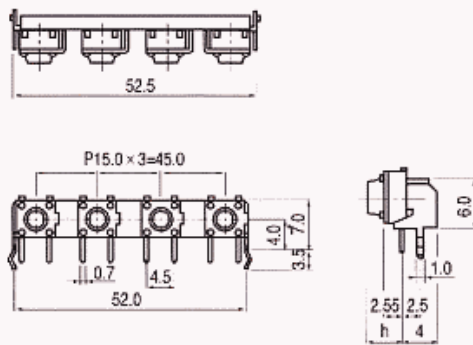
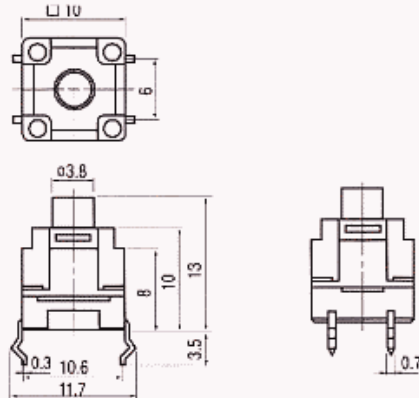


# TACT SWITCHES



Operating Force			Life Cycle	Rating (max.)	Stroke (mm)	Contact Resistance	Features
Model	Color	gf					
TWP119	J	Black	160 ± 30	100,000	50mA 12V DC	0.3	500 mΩ max.
	H		260 ± 70				
TM122	Gray	130 ± 30	20mA 12V DC		0.8	500mΩ max.	Rubber Contact
T4K116	Black	130 ± 30	50mA 12V DC		0.25	100 mΩ	Multi - key Block
KPD190		160 ± 40	40mA 24V DC		0.2	max.	Key Pad